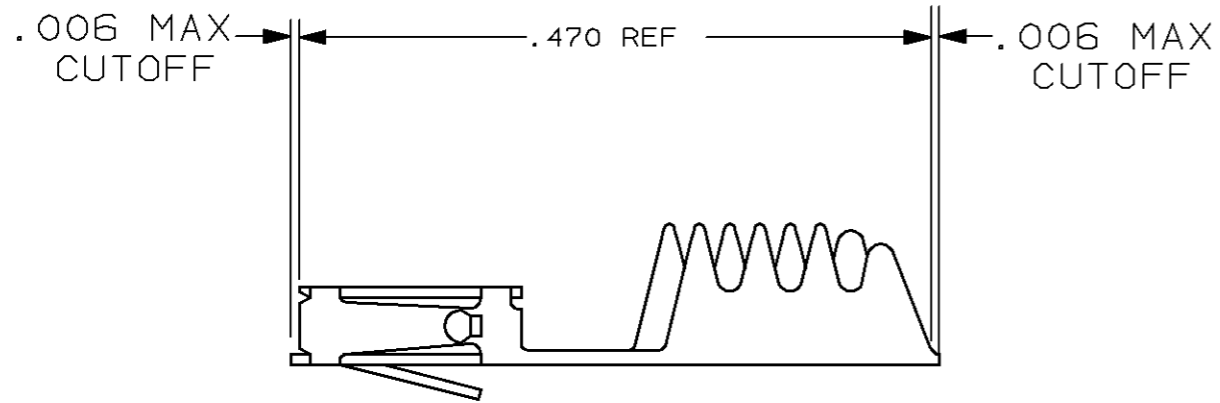
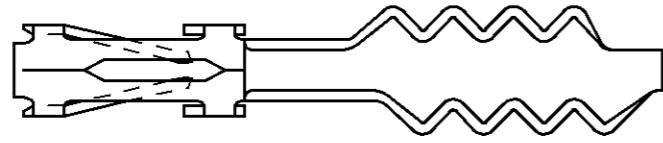


THIS DRAWING IS UNPUBLISHED. RELEASED FOR PUBLICATION, 19 .
 © COPYRIGHT 19 BY AMP INCORPORATED. ALL RIGHTS RESERVED.

LOC	DIST	REVISIONS			
P	LTR	DESCRIPTION	DATE	DWN	APVD
	01	REV ECN 1821	2-22-88	SB	-
	A	REV LOC & DIST AD-4171	11/28/89	BF	
	B	REV PER 0010-0805-93	7-8-93	JH	
	C	REV PER 0310-0030-98	8/03/98	ECC	



1. LOOSE PIECE CONTACTS MUST MEET ALL APPLICABLE STRIP SPECIFICATION IN ADDITION TO THOSE SHOWN

.000030 GOLD OVER .000050 NICKEL

△3 GOLD FLASH OVER .000050 NICKEL ENTIRE CONTACT, .000030 GOLD ON CONTACT AREA

△4 PREPLATED: (HALT) .000078-.000158 BRIGHT TIN

△5 OBSOLETE PART NUMBER

△4	87107-6	102348-3
△3	87107-5	102348-2
△2	87107-2	△1 102348-1
FINISH	STRIP PART NO.	PART NO.

THIS DRAWING IS A CONTROLLED DOCUMENT.		DWN E.C. CLAYBAUGH	AMP Incorporated Harrisburg, PA 17105-3608	
DIMENSIONS: IN	TOLERANCES UNLESS OTHERWISE SPECIFIED:	CHK -	NAME CONTACT, MOD IV, CRIMP SNAP-IN (LOOSE PIECE)	
	0 PLC ±- 1 PLC ±- 2 PLC ±- 3 PLC ±- 4 PLC ±- ANGLES ±-	APVD -	PRODUCT SPEC -	RESTRICTED TO -
MATERIAL BERYLLIUM COPPER	FINISH SEE TABLE	PRODUCT SPEC -	APPLICATION SPEC -	SIZE A3
		WEIGHT -	CAGE CODE 00779	DRAWING NO C- 102348
		CUSTOMER DRAWING	SCALE N.T.S.	SHEET 1 OF 1
				REV C